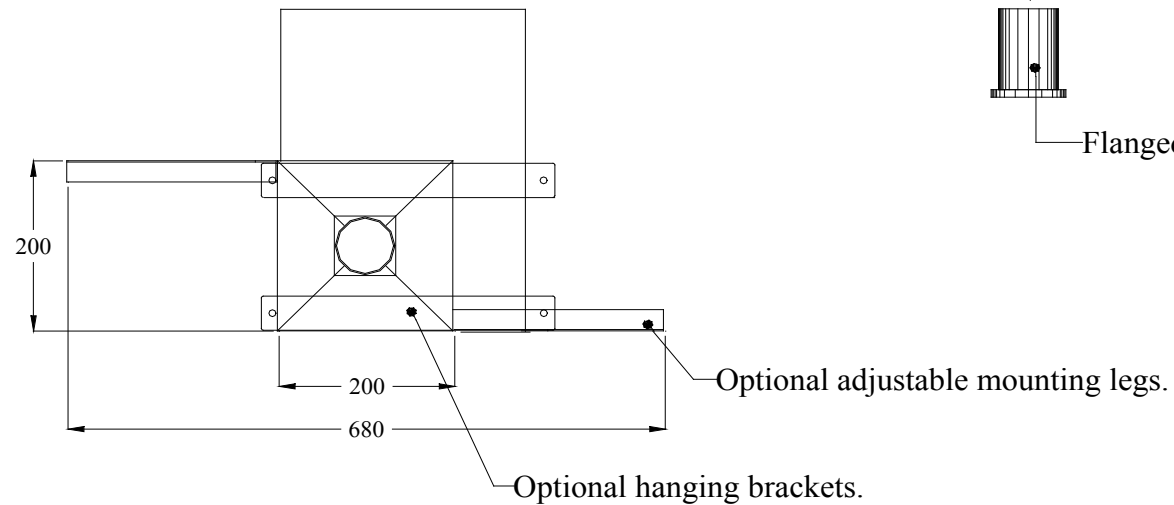
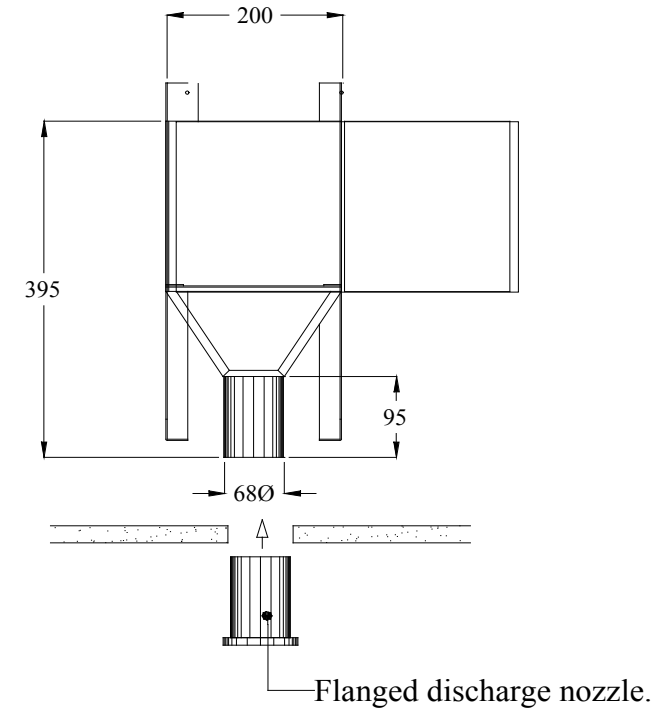
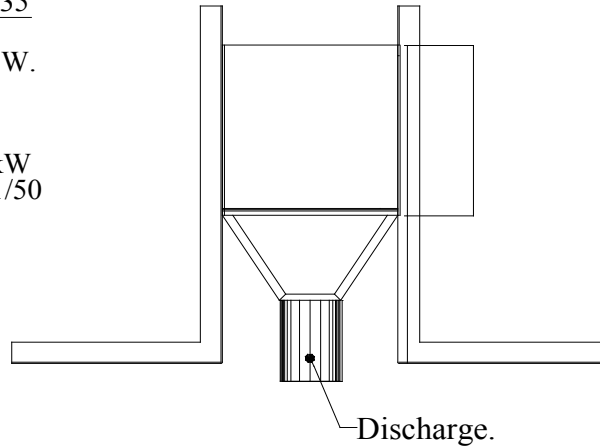


CAH

Technical Specification For C.A.H Cold Aisle Spot Heater Void Mounting Type

	Model No.	
	CAH30	CAH35
Air Volume L/sec.	28	42
Fan Type	S.I.S.W.	S.I.S.W.
Max. Mounting Height (metres)	3.0	3.5
Absorbed Power (watts)	35	60
Fan Motor F.L.C. (amps)	0.3	0.4
Electric Heating Element	0.75kW	0.75kW
Voltage	240/1/50	240/1/50



envirotec

Desborough Park Road
High Wycombe
Buckinghamshire
HP12 3BX
England

TEL +44 01494 525342
FAX +44 01494 440889
www.envirotec.co.uk
sales@envirotec.co.uk

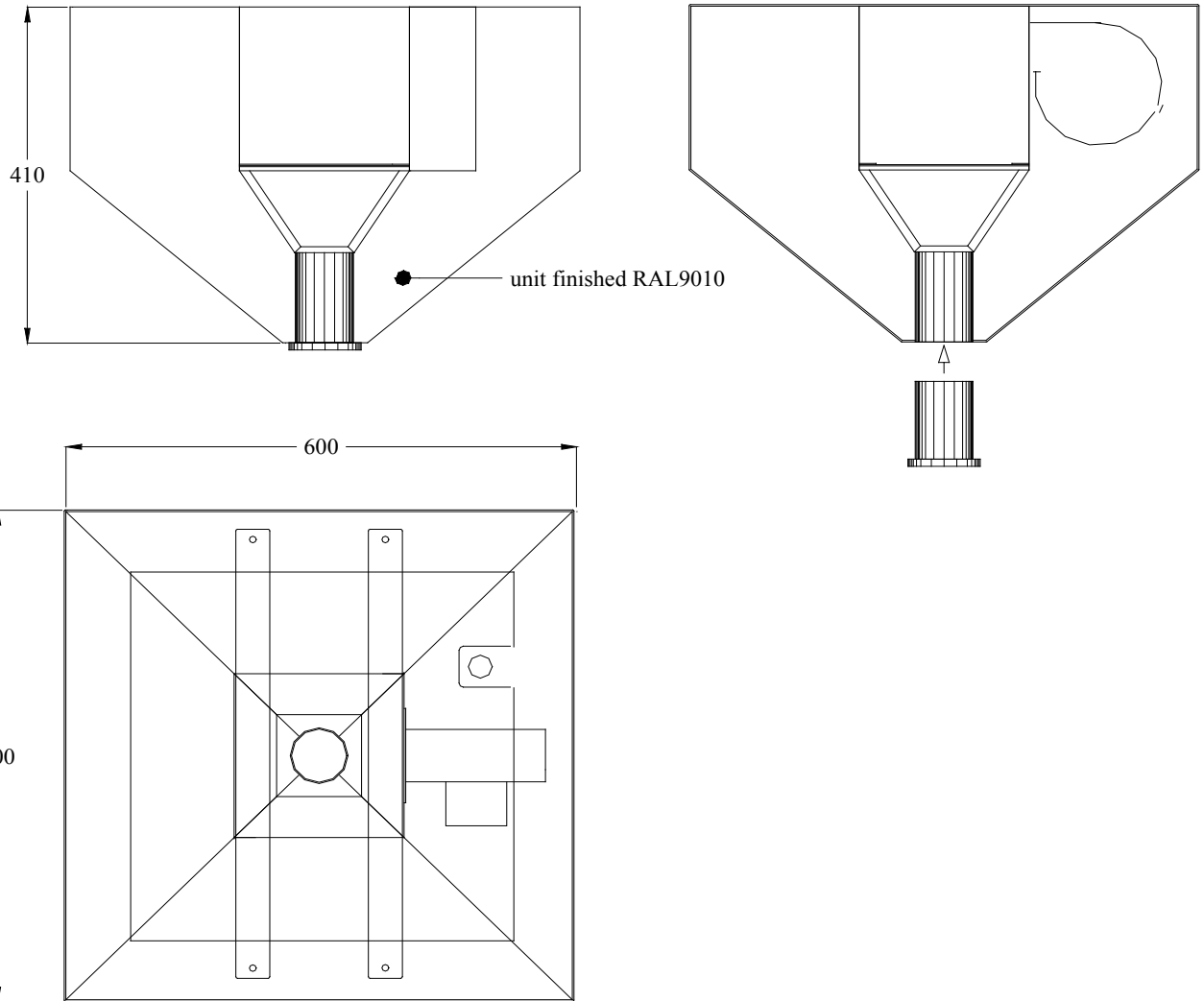
COLD AISLE SPOT HEATER - GENERAL ARRANGEMENT.

DRAWING No. GA1595/INTERNET

CAH/FH

Technical Specification For CAH/FH Cold Aisle Spot Heater Free Hanging Type

	Model No.	
	CAH30/REC	CAH35/REC
Air Volume L/sec.	28	42
Fan Type	S.I.S.W.	S.I.S.W.
Max. Mounting Height (metres)	3.0	3.5
Absorbed Power (watts)	35	60
Fan Motor F.L.C. (amps)	0.3	0.4
Electric Heating Element	0.75kW	0.75kW
Voltage	240/1/50	240/1/50



envirotec

Desborough Park Road
High Wycombe
Buckinghamshire
HP12 3BX
England
TEL +44 01494 525342
FAX +44 01494 440889
www.envirotec.co.uk
sales@envirotec.co.uk

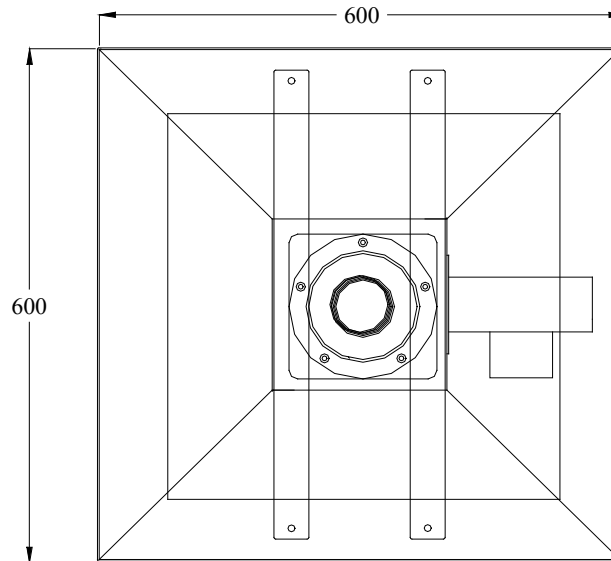
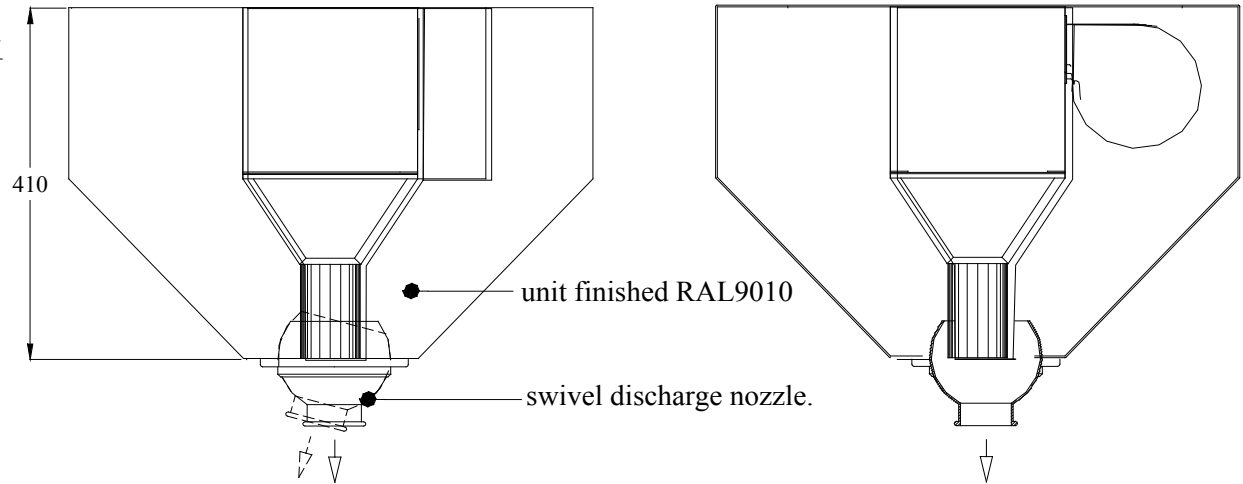
COLD AISLE SPOT HEATER (FREE HANGING)
TYPE CAH/FH.

DRAWING No. GA1598/INTERNET

CAH/FH/SN

Technical Specification For CAH/FH/SN Cold Aisle Spot Heater
Free Hanging Type

	Model No.	
	CAH30	CAH35
Air Volume L/sec.	28	42
Fan Type	S.I.S.W.	S.I.S.W.
Max. Mounting Height (metres)	3.0	3.5
Absorbed Power (watts)	35	60
Fan Motor F.L.C. (amps)	0.3	0.4
Electric Heating Element	0.75kW	0.75kW
Voltage	240/1/50	240/1/50



envirotec

Desborough Park Road
High Wycombe
Buckinghamshire
HP12 3BX
England
TEL +44 01494 525342
FAX +44 01494 440889
www.envirotec.co.uk
sales@envirotec.co.uk

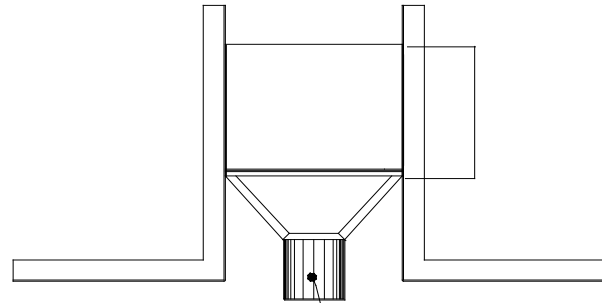
COLD AISLE SPOT HEATER (FREE HANGING).
TYPE CAH/FN/SN
(WITH ADJUSTABLE DISCHARGE NOZZLE)

DRAWING No. GA1601/INTERNET

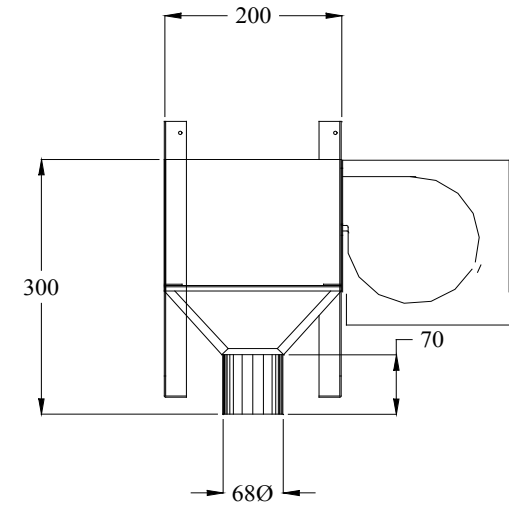
CAH Lowline

Technical Specification For C.A.H Cold Aisle Spot Heater Void Mounting Type

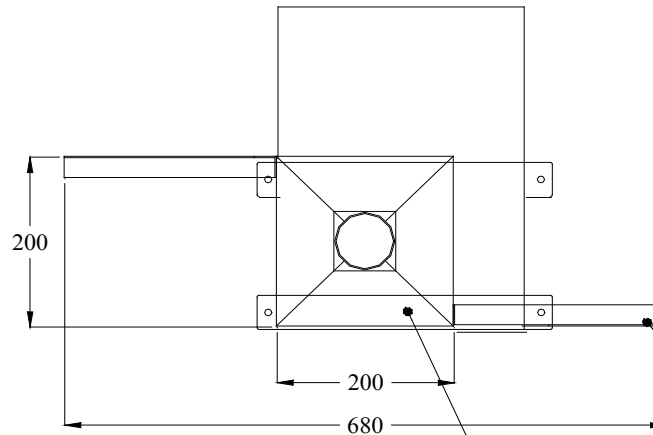
	Model No.	
	CAH30	CAH35
Air Volume L/sec.	28	42
Fan Type	S.I.S.W.	S.I.S.W.
Max. Mounting Height (metres)	3.0	3.5
Absorbed Power (watts)	35	60
Fan Motor F.L.C. (amps)	0.3	0.4
Electric Heating Element	0.75kW	0.75kW
Voltage	240/1/50	240/1/50



Discharge.



Flanged discharge nozzle.



Optional adjustable mounting legs.

Optional hanging brackets.

envirotec

Desborough Park Road
High Wycombe
Buckinghamshire
HP12 3BX
England
TEL +44 01494 525342
FAX +44 01494 440889
www.envirotec.co.uk
sales@envirotec.co.uk

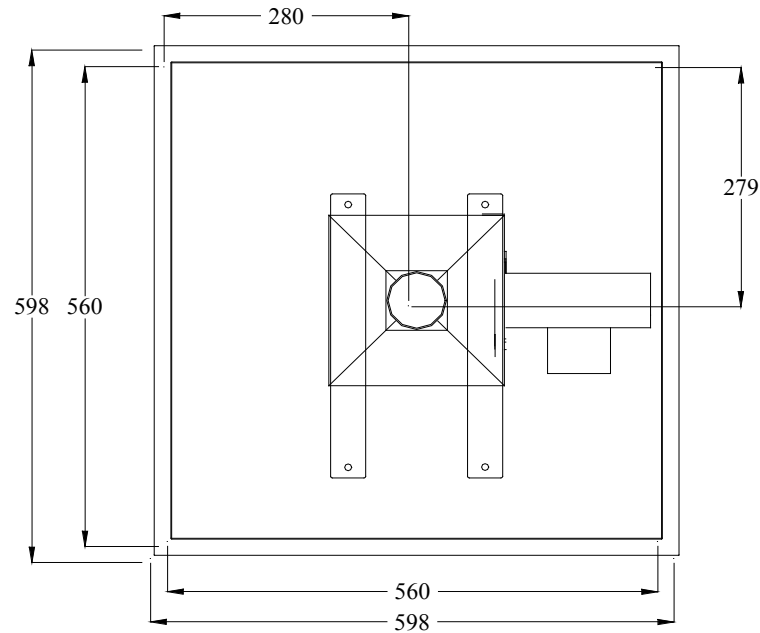
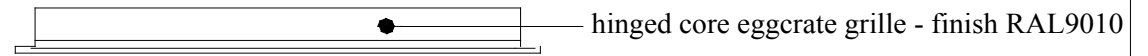
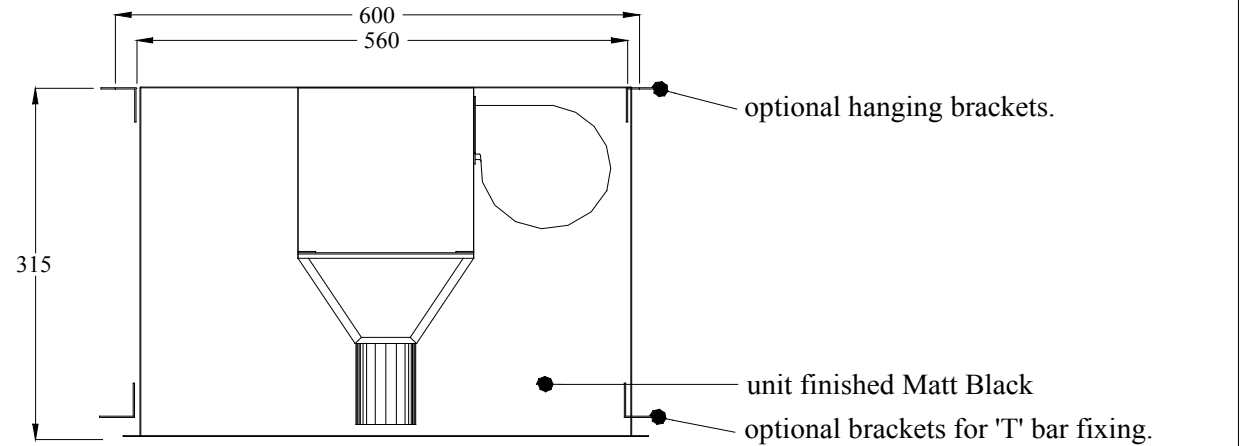
COLD AISLE SPOT HEATER - LOWLINE.

DRAWING No. GA1603/INTERNET

CAH/REC 'LOWLINE'

Technical Specification For CAH/REC Cold Aisle Spot Heater
Recirculating Type.

	Model No.	
	CAH30/REC	CAH35/REC
Air Volume L/sec.	28	42
Fan Type	S.I.S.W.	S.I.S.W.
Max. Mounting Height (metres)	3.0	3.5
Absorbed Power (watts)	35	60
Fan Motor F.L.C. (amps)	0.3	0.4
Electric Heating Element	0.75kW	0.75kW
Voltage	240/1/50	240/1/50



envirotec

Desborough Park Road
High Wycombe
Buckinghamshire
HP12 3BX
England
TEL +44 01494 525342
FAX +44 01494 440889
www.envirotec.co.uk
sales@envirotec.co.uk

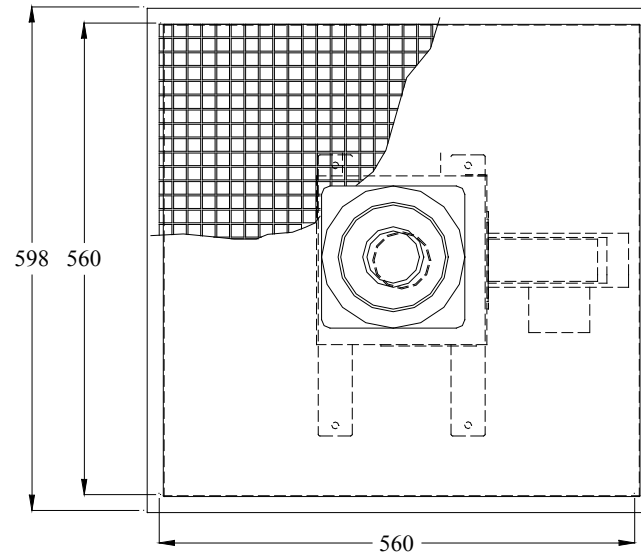
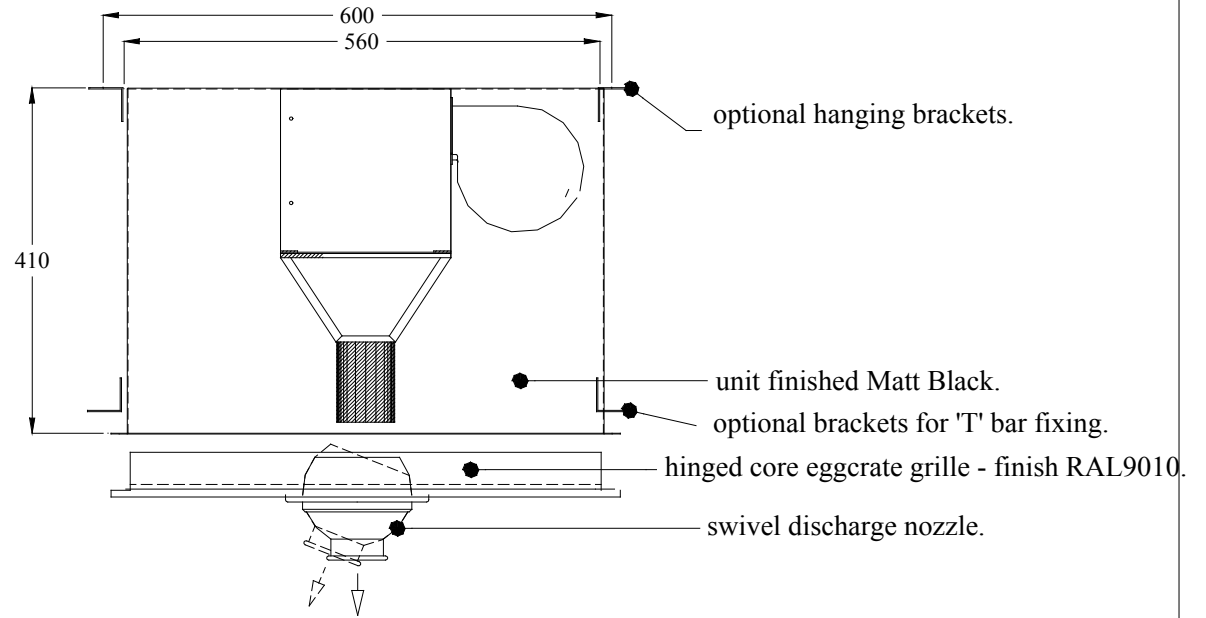
Cold Aisle Spot Heater (recirculating unit).
Type CAH / REC 'LOWLINE'.

DRAWING No. GA1597/INTERNET

CAH/REC/SN

Technical Specification For CAH/REC/SN Cold Aisle Spot Heater
Recirculating Type.

	Model No.	
	CAH30/REC	CAH35/REC
Air Volume L/sec.	28	42
Fan Type	S.I.S.W.	S.I.S.W.
Max. Mounting Height (metres)	3.0	3.5
Absorbed Power (watts)	35	60
Fan Motor F.L.C. (amps)	0.3	0.4
Electric Heating Element	0.75kW	0.75kW
Voltage	240/1/50	240/1/50



envirotec

Desborough Park Road
High Wycombe
Buckinghamshire
HP12 3BX
England

TEL +44 01494 525342
FAX +44 01494 440889
www.envirotec.co.uk
sales@envirotec.co.uk

COLD AISLE SPOT HEATER (RECIRCULATING UNIT).
TYPE CAH/REC/SN (WITH ADJUSTABLE DISCHARGE NOZZLE).

DRAWING No. GA1599/INTERNET